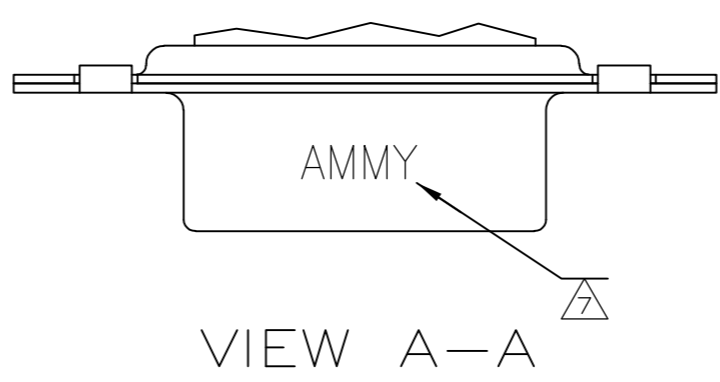
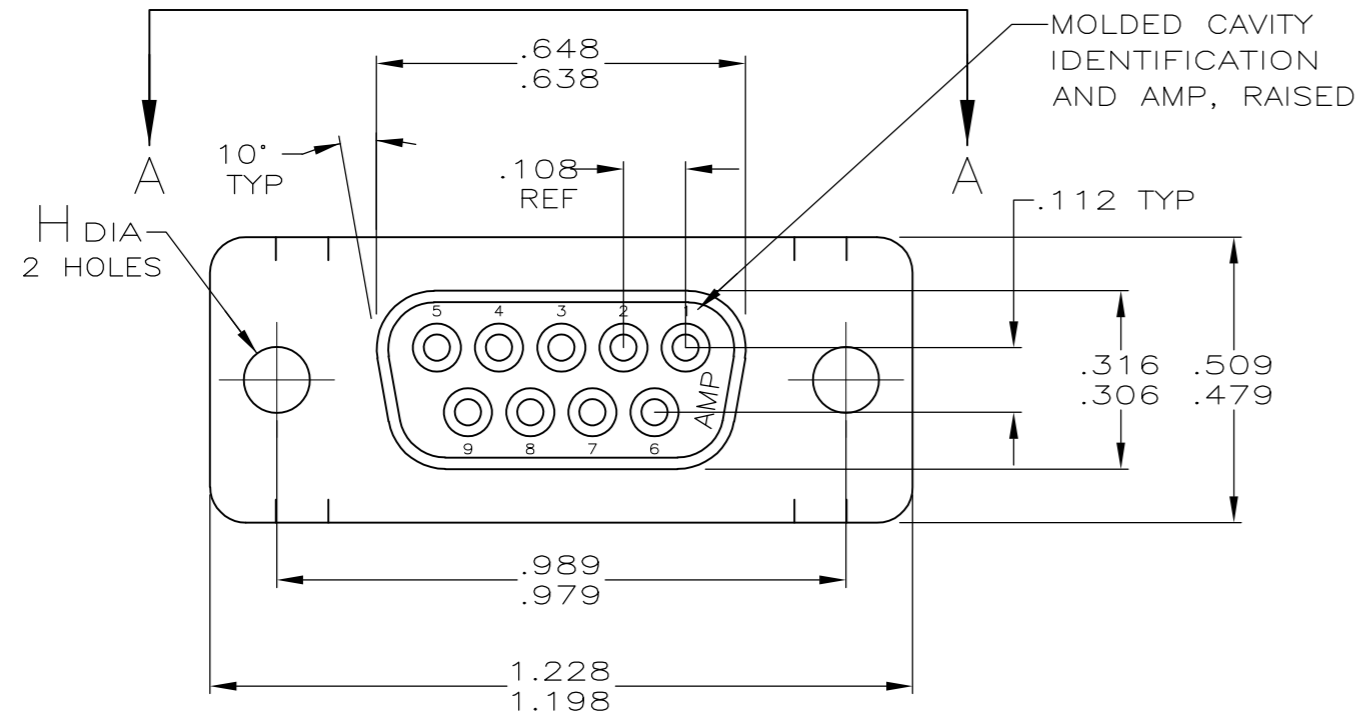
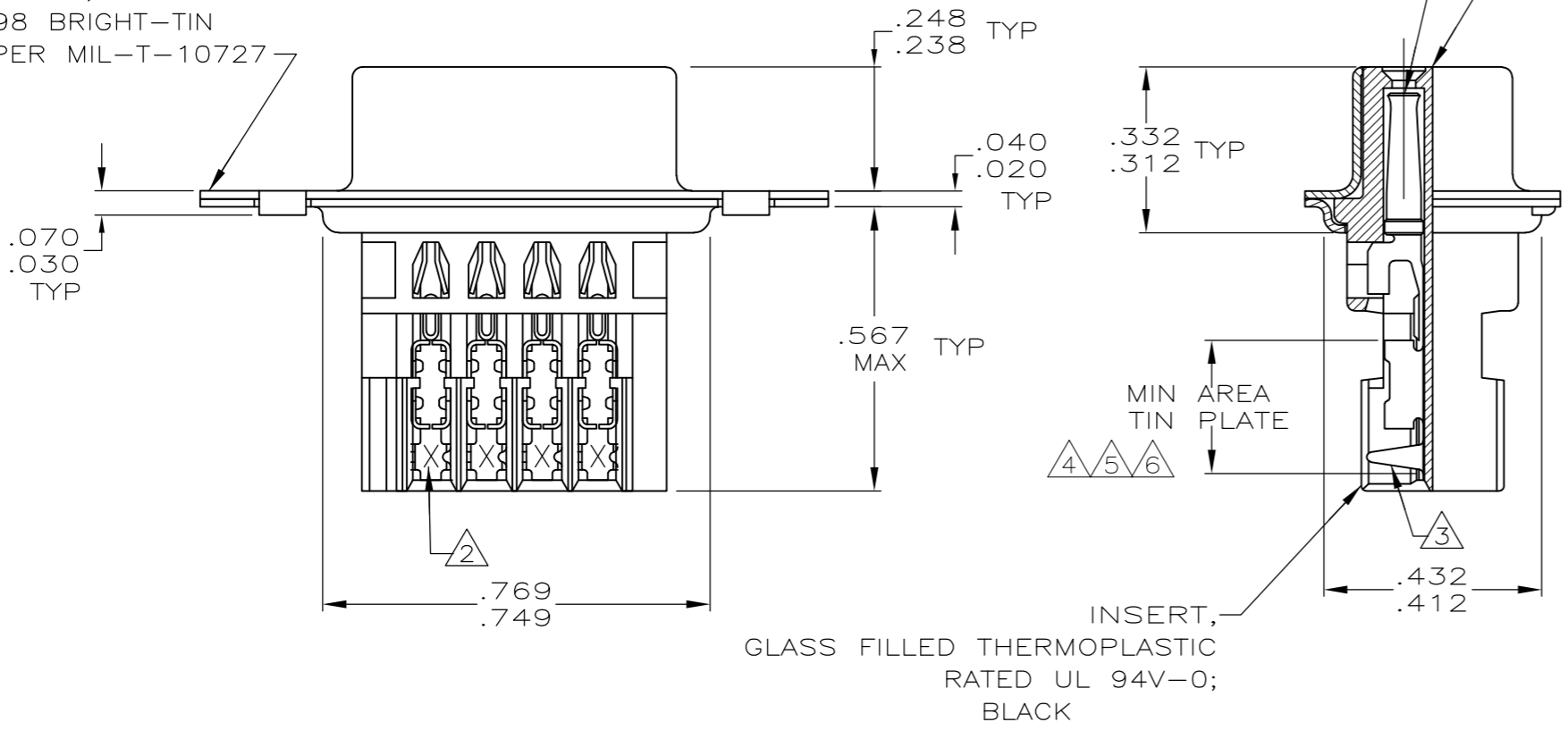


THIS DRAWING IS UNPUBLISHED. RELEASED FOR PUBLICATION
 © COPYRIGHT - By - ALL RIGHTS RESERVED.

LOC	DIST	REVISIONS					
GP	00	P	LTR	DESCRIPTION	DATE	DWN	APVD
		M3		REVISED PER ECO-11-004835	11MAR11	RK	HMR



SHELL, STEEL, PER QQ-S-698 BRIGHT-TIN PLATED PER MIL-T-10727



- 1 HOUSING FULLY LOADED WITH CONTACTS.
- 2 NUMBER ON CONTACT INDICATES WIRE RANGE.
- 3 CONTACT INSULATION RANGE: .060 MAXIMUM O.D.
- 4 .000030 GOLD ON MATING END FOR .100 MIN LENGTH. .000100-.000200 BRIGHT TIN OR BRIGHT TIN-LEAD IN AREA SHOWN. .000050 NICKEL UNDERPLATE ON ENTIRE CONTACT.
- 5 .000001 MIN GOLD ON MATING END FOR .100 MIN LENGTH. .000100-.000200 BRIGHT TIN OR BRIGHT TIN-LEAD IN AREA SHOWN. .000030 NICKEL UNDERPLATE ON ENTIRE CONTACT.
- 6 .000050 MIN GOLD FOR A LENGTH OF .100 MIN FROM MATING END. .000100 MIN TIN OR TIN-LEAD IN TIN PLATE AREA. BOTH OVER .000050 MIN NICKEL.
- 7 SPECIAL DATE CODE IN THIS APPROXIMATE AREA. A; MM = MONTH; Y = LAST DIGIT OF YEAR.
- 8 SUPERSEDED BY 745491-5
- 9 SUPERSEDED BY 745491-3
- 10 SUPERSEDED BY 745491-1
- 11 .000030 GOLD ON MATING END FOR .100 MIN LENGTH. .000100-.000200 MATTE TIN IN AREA SHOWN. .000050 NICKEL UNDERPLATE ON ENTIRE CONTACT.
- 12 .000001 MIN GOLD ON MATING END FOR .100 MIN LENGTH. .000100-.000200 MATTE TIN IN AREA SHOWN. .000030 NICKEL UNDERPLATE ON ENTIRE CONTACT.

	STANDARD	.125 .115	11	3	#20-22	1-745491-9
	STANDARD	.125 .115	12	2	#22-26	1-745491-8
	STANDARD	.125 .115	11	2	#22-26	1-745491-7
	STANDARD	.125 .115	11	1	#26-30	1-745491-6
	SMALL PACK	.125 .115	5	2	#22-26	1-745491-5
7	OBSOLETE	STANDARD .120	6	2	#22-26	1-745491-3
	OBSOLETE			3	#20-22	1-745491-2
	OBSOLETE	STANDARD .156 .146	5	2	#22-26	1-745491-1
	OBSOLETE			1	#26-30	1-745491-0
	OBSOLETE			3	#20-22	745491-9
	OBSOLETE	STANDARD .156 .146	4	2	#22-26	745491-8
	OBSOLETE			1	#26-30	745491-7
	OBSOLETE			3	#20-22	745491-6
	OBSOLETE	STANDARD .125 .115	5	2	#22-26	745491-5
	OBSOLETE			1	#26-30	745491-4
	OBSOLETE			3	#20-22	745491-3
	OBSOLETE	STANDARD .125 .115	4	2	#22-26	745491-2
	OBSOLETE			1	#26-30	745491-1
	PACKAGING	H	CONTACT FINISH	2	AWG WIRE RANGE	PART NUMBER

THIS DRAWING IS A CONTROLLED DOCUMENT.

DIMENSIONS: INCHES	TOLERANCES UNLESS OTHERWISE SPECIFIED:	DWN L. VARELA - DOCK5 CHK J. GERACE APVD M. WALMSLEY	11-16-04 4-12-90 11-16-04	NAME	TE Connectivity
	0 PLC ± - 1 PLC ± - 2 PLC ± - 3 PLC ± .005 4 PLC ± - ANGLES ± 2'	PRODUCT SPEC 108-40011 APPLICATION SPEC 114-40002		SIZE A2	CAGE CODE 00779
MATERIAL SEE CALL OUT	FINISH SEE TABLE	WEIGHT -		DRAWING NO C-745491	RESTRICTED TO -
		CUSTOMER DRAWING	SCALE 4:1	SHEET 1 of 1	REV M3